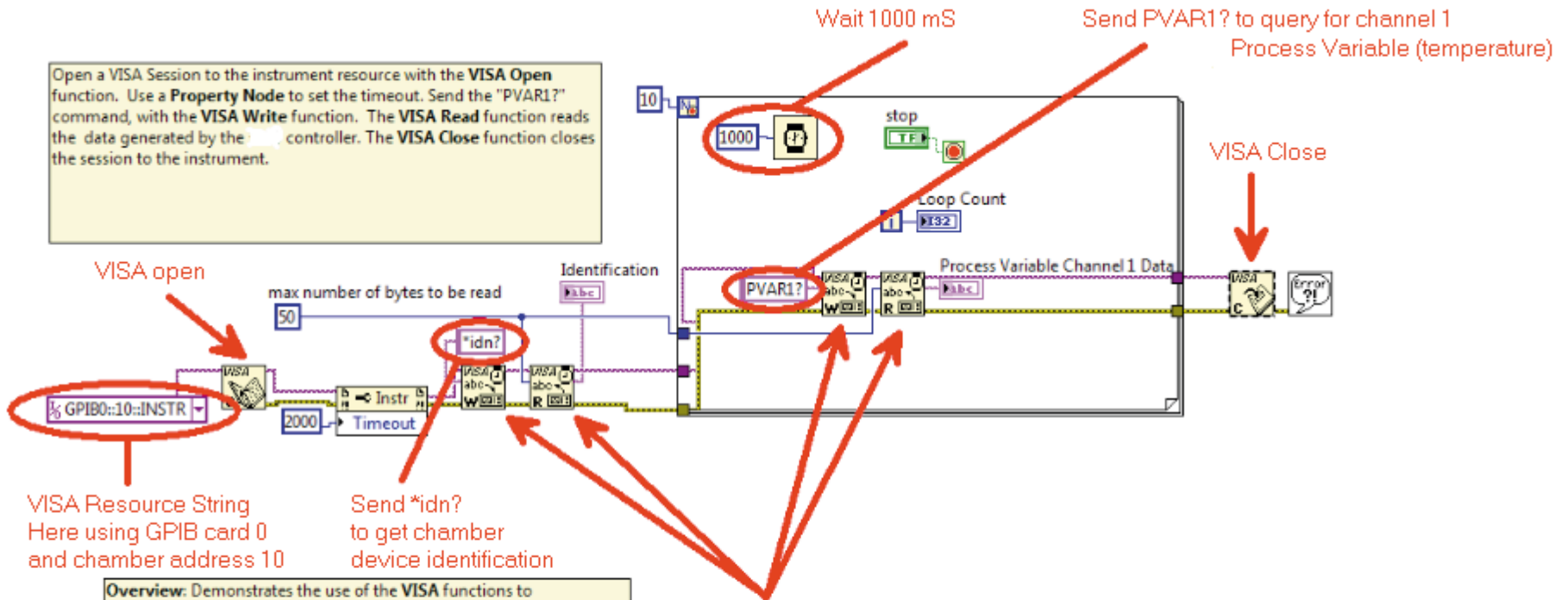


Open a VISA Session to the instrument resource with the **VISA Open** function. Use a **Property Node** to set the timeout. Send the "PVAR1?" command, with the **VISA Write** function. The **VISA Read** function reads the data generated by the controller. The **VISA Close** function closes the session to the instrument.



Overview: Demonstrates the use of the **VISA** functions to communicate to a GPIB instrument.

Requirements: NI-488.2 and NI-VISA Drivers

Instructions:

1. Ensure the resource specified in the **VISA GPIB Resource** control is properly configured in **NI Measurement & Automation Explorer**. (Devices and Interfaces, GPIB0, Properties = Use defaults except for Termination Settings: Send EOI at End of Write, Terminate Read on EOS, EOS Byte = 13, 8-bit EOS compare, Set EOI with EOS on Write)
2. Computer I/O GPIB setup: Send EOI = yes, Terminator = CR, Send Ack = yes, **Termination**
3. Run the VL.

VISA Write sends commands to chamber controller. VISA Read reads the chamber controller response.



Overview: Demonstrates the use of the **VISA** functions to communicate to a GPIB instrument.

Requirements: NI-488.2 and NI-VISA Drivers

Instructions:

1. Ensure the resource specified in the **VISA GPIB Resource** control is properly configured in NI **Measurement & Automation Explorer**. (Devices and Interfaces, GPIB0, Properties = Use defaults except for Termination Settings: Send EOI at End of Write, Terminate Read on EOS, EOS Byte = 13, 8-bit EOS compare, Set EOI with EOS on Write)
2. 3200 computer I/O GPIB setup: Send EOI = yes, Terminator = CR, Send Ack = yes, Cmd Compat = 3800
3. Run the VI.

Identification

3200 Chamber Controller

Loop Count

2

STOP

Process Variable Channel 1 Data

29.4



- My System
 - Data Neighborhood
 - Devices and Interfaces
 - ASRL10::INSTR "LPT1"
 - GPIB-USB-HS "GPIB0"**
 - Instrument 0 "8800"
 - Network Devices
 - Serial & Parallel
 - Scales
 - Software
 - IVI Drivers
 - Remote Systems

Save
 Refresh
 Restore Defaults
 Scan for Instruments

GPIB Interface Properties

Name	Value
Serial Number	0152E031
Name or IP Address	Not Applicable
General Settings	
GPIB Interface ID	GPIB0
Primary Address	0
Secondary Address	None
System Controller	<input checked="" type="checkbox"/>
I/O Timeout	12 (3 sec)
Autopolling	<input checked="" type="checkbox"/>
Termination Settings	
Send EOI at End of Write	<input checked="" type="checkbox"/>
Terminate Read on EOS	<input checked="" type="checkbox"/>
EOS Byte	13
8-bit EOS Compare	<input checked="" type="checkbox"/>
Set EOI with EOS on Write	<input checked="" type="checkbox"/>
Advanced Settings	
HS488 Cable Length	0 (Disabled)
Parallel Poll Duration	0 (2 usec)
Assert REN when SC	<input type="checkbox"/>
Bus Timing	1 (2 usec)